

FCL IN-LINE SUCTION FILTERS WITH PAPER CARTRIDGE



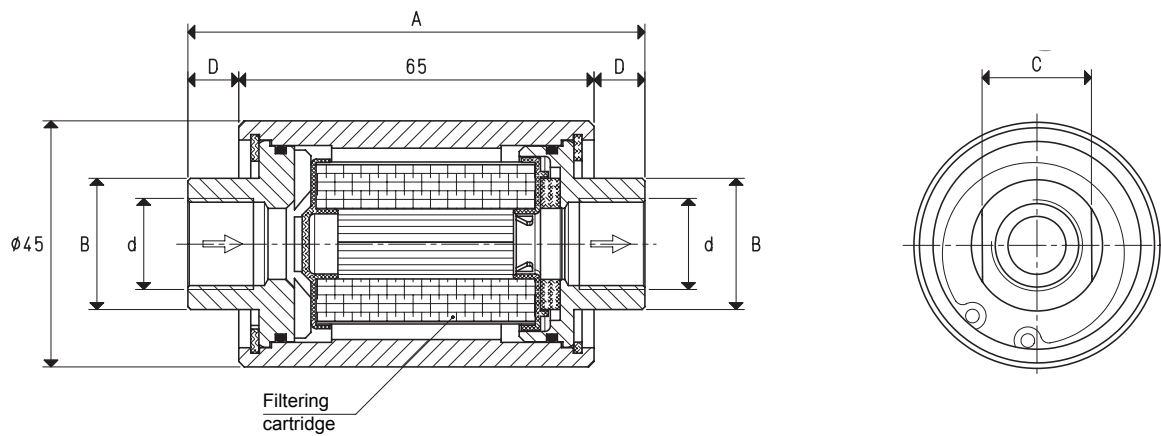
These small in-line filters retain impurities and very fine dust, interfering with the capacity in a negligible manner. Thanks to their reduced size, they can be directly installed onto vacuum piping, close to the services (vacuum cups, vacuum clamping systems etc.) for a fractionated filtration and a better visual control of all the plant suction points. They are composed of a cylindrical transparent plexiglas body closed by two anodised aluminium flanges kept in place by seeger rings, where all the threaded male or female connections and seals are located. Inside there is a filtering cartridge with a filtering degree equal to 7 μ , which is made with a special treated paper that is pleated to increase the filtering surface. The filters can be inspected by simply removing one of the flanges. Due to the paper filtering element, these filters are not recommended in presence of water or oil vapours or condensations.

Technical features

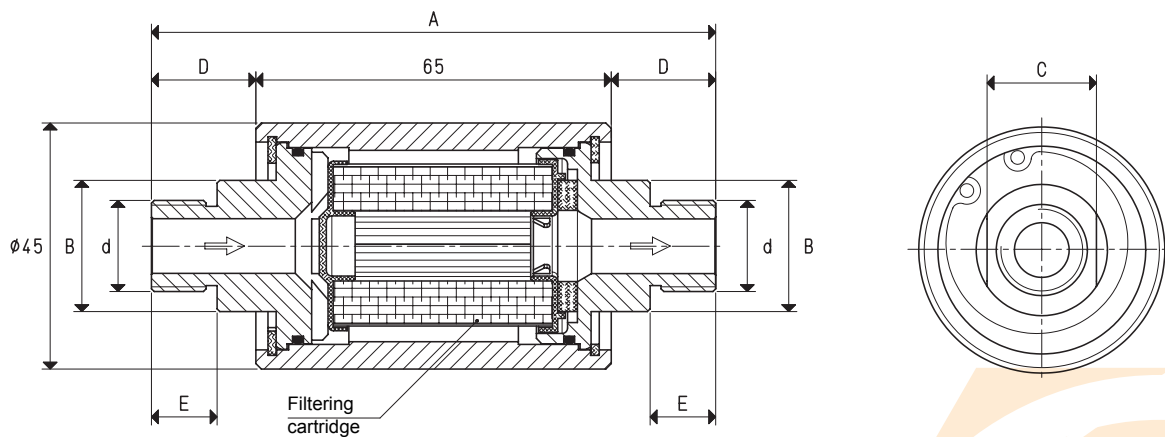
Working pressure: from 0.5 to 3000 mbar abs.

Fluid temperature: from -20 to +60 °C

Filtering degree: 7 μ



Art.	d	A	B	C	D	Max capacity	Spare cartridge art.	Spare sealing kit art.	Weight
	\emptyset		\emptyset			cum/h			g
FCL 1	G1/4"	79.2	20.0	17	7.1	7.5	00 FCL 03	00 KIT FCL 1	120
FCL 2	G3/8"	83.6	24.0	20	9.3	20	00 FCL 03	00 KIT FCL 1	136
FCL 3	G1/2"	89.6	26.5	24	12.3	25	00 FCL 03	00 KIT FCL 1	152



Art.	d	A	B	C	D	E	Max capacity	Spare cartridge art.	Spare sealing kit art.	Weight
	\emptyset		\emptyset				cum/h			g
FCL 1 M	G1/4"	103.2	20.0	17	19.1	12	7.5	00 FCL 03	00 KIT FCL 1	122
FCL 2 M	G3/8"	103.2	24.0	20	19.1	12	20	00 FCL 03	00 KIT FCL 1	138
FCL 3 M	G1/2"	113.6	26.5	24	24.3	15	25	00 FCL 03	00 KIT FCL 1	154

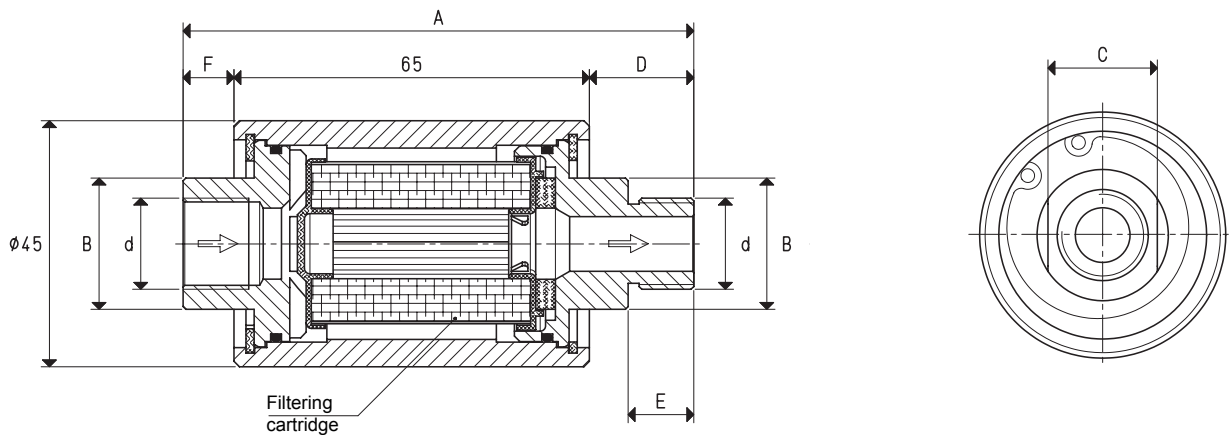
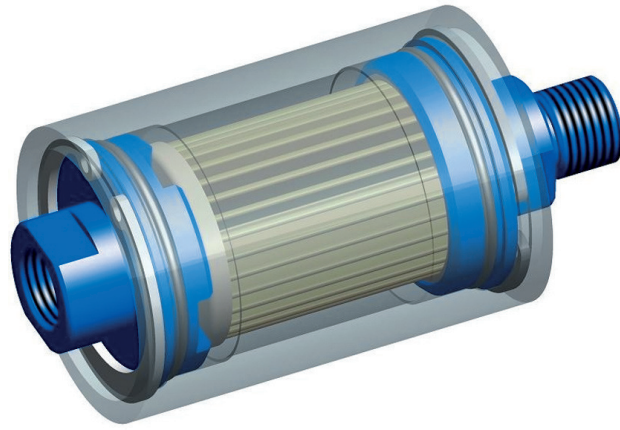
Conversion ratio: inch = $\frac{\text{mm}}{25.4}$; pounds = $\frac{\text{g}}{453.6}$ = $\frac{\text{Kg}}{0.4536}$

GAS-NPT thread adapters available at page 1.117

3D drawings available at www.vuototecnica.net

5.01

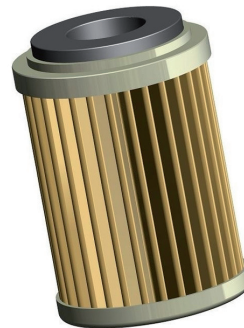
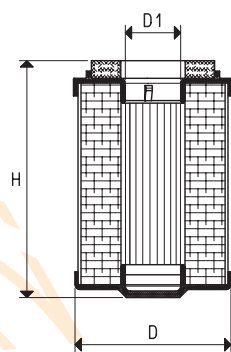
FCL IN-LINE SUCTION FILTERS WITH PAPER CARTRIDGE



Art.	d	A	B	C	D	E	F	Max capacity	Spare cartridge art.	Spare sealing kit art.	Weight
	\emptyset		\emptyset					cum/h			g
FCL 1 MF	G1/4"	91.2	20.0	17	19.1	12	7.1	7.5	00 FCL 03	00 KIT FCL 1	120
FCL 2 MF	G3/8"	93.4	24.0	20	19.1	12	9.3	20	00 FCL 03	00 KIT FCL 1	136
FCL 3 MF	G1/2"	101.6	26.5	24	24.3	15	12.3	25	00 FCL 03	00 KIT FCL 1	152

PAPER FILTERING CARTRIDGES FOR FCL FILTERS

The cartridges described below are suited for FCL filters.
They are made with a special treated paper with a filtering degree equal to 7μ , which is pleated in order to increase its surface and wrapped on two flanges in plastic material.
They are recommended for retaining impurities and fine dust, but not in presence of water or oil vapours or condensations.



Art.	Filtere art.	D	D1	H	Filtering degree
		\emptyset	\emptyset		micron
00 FCL 03	FCL 1 - FCL 2 - FCL 3 FCL 1 M - FCL 2 M - FCL 3 M FCL 1 MF - FCL 2 MF - FCL 3 MF	31	10	47	$5 \div 7$

5.02

Conversion ratio: inch = $\frac{\text{mm}}{25.4}$, pounds = $\frac{\text{g}}{453.6}$ = $\frac{\text{Kg}}{0.4536}$

GAS-NPT thread adapters available at page 1.117